

# MSA 771, MSA 871

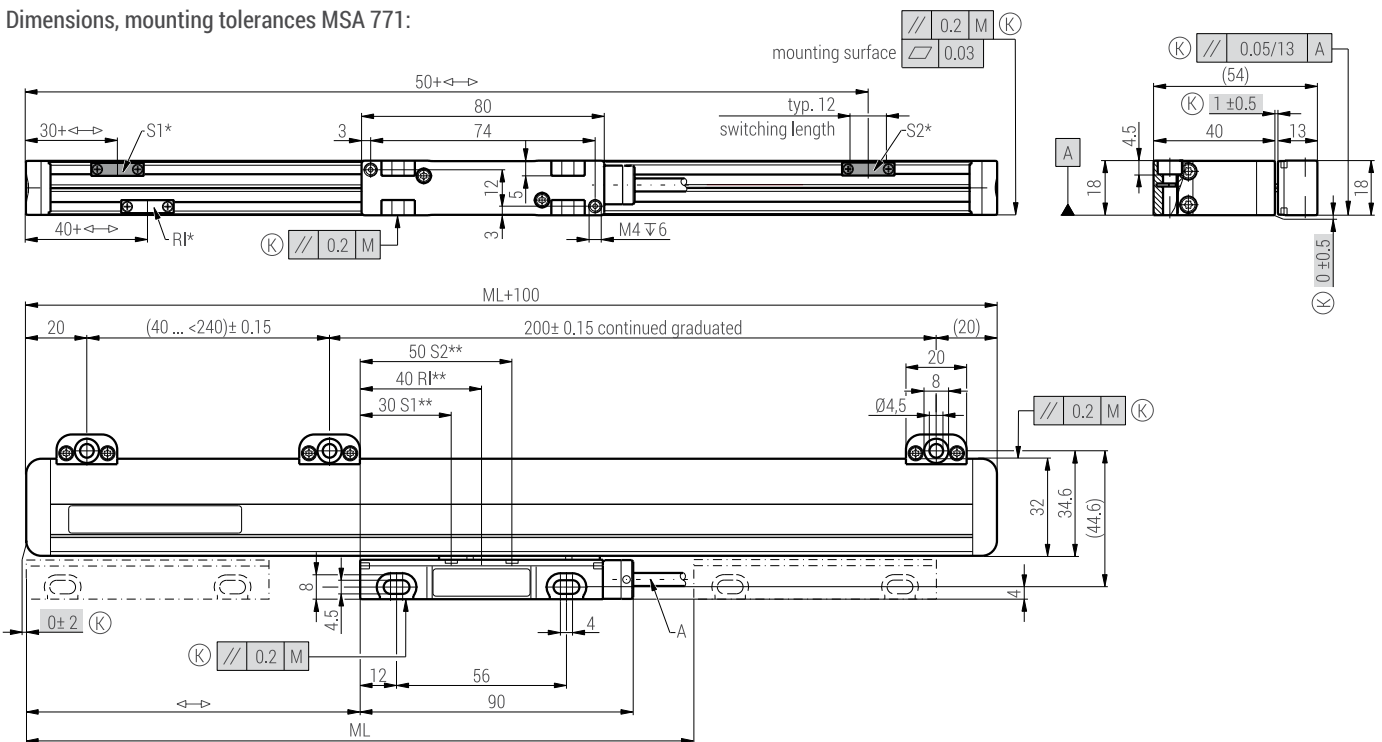
MSA 771



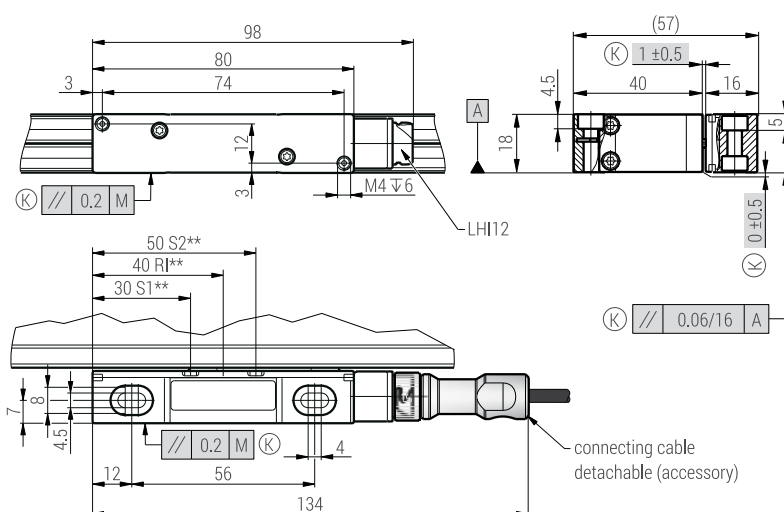
MSA 871



### Dimensions, mounting tolerances MSA 771:



### Dimensions, mounting tolerances MSA 871:



M = machine guideway

ML = measuring length

↔ = 0 ... ML

A = cable

LHI12 = male connector

(K) = required mating dimensions

OPTIONAL:

S1, S2 = switch signals

RI = selectable reference mark

\* = actuator magnet

\*\* = sensor position