

MSA 720, MSA 820

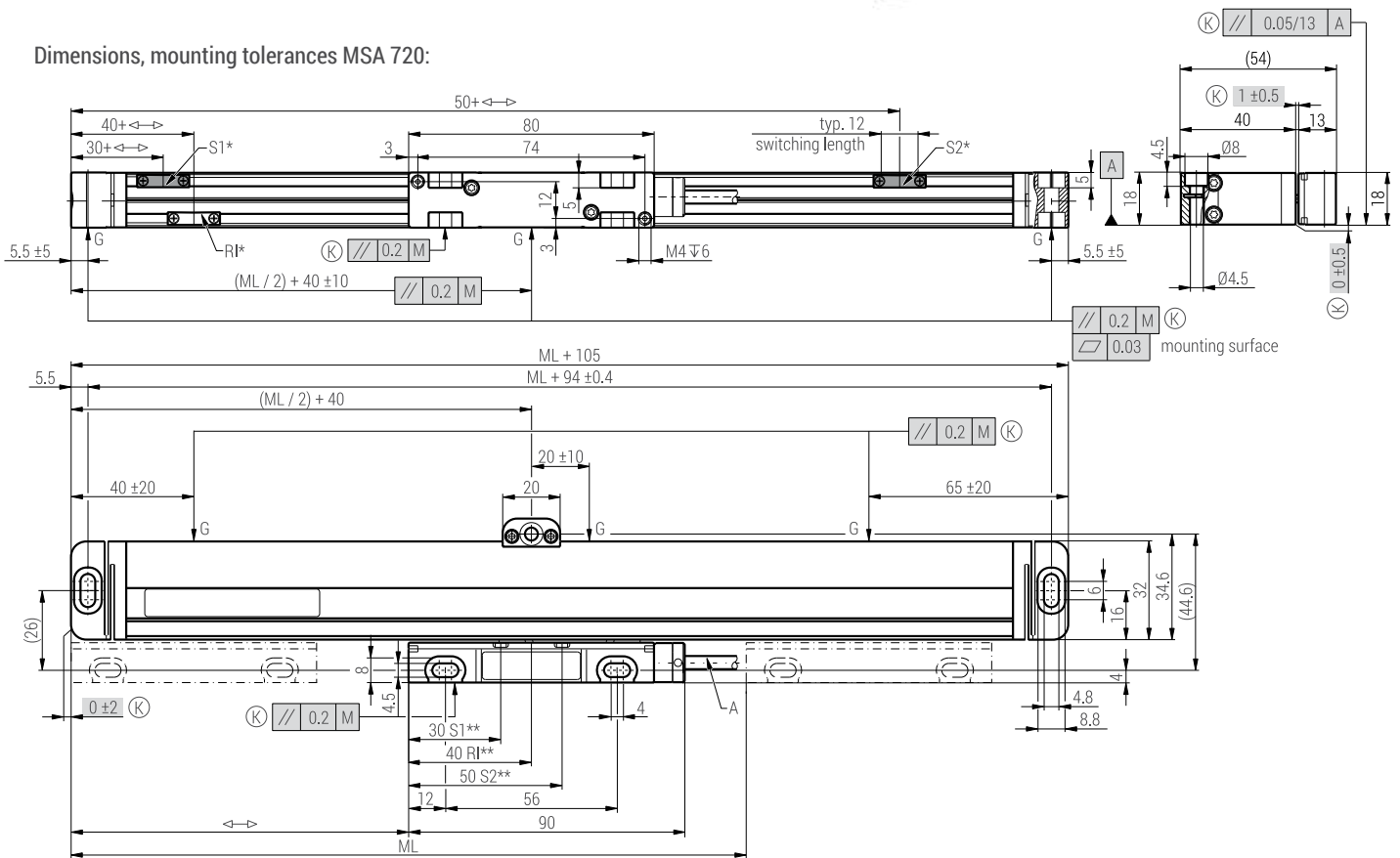


MSA 720

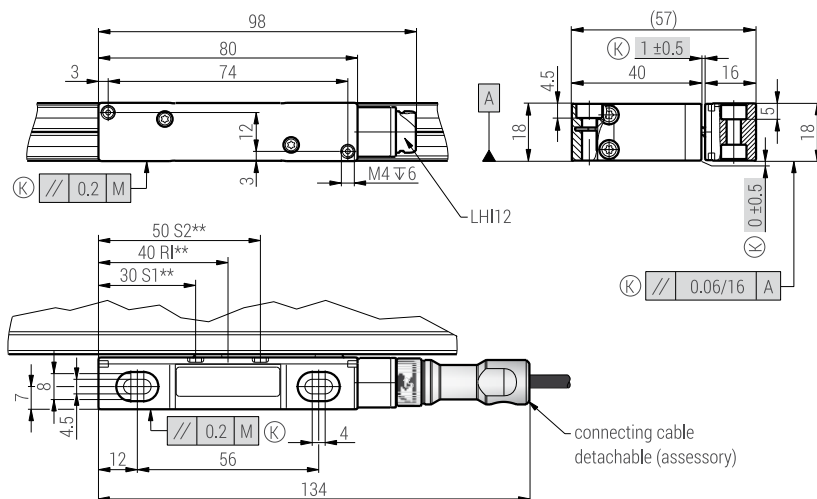


MSA 820

Dimensions, mounting tolerances MSA 720:



Dimensions, mounting tolerances MSA 820:



- M = machine guideway
- ML = measuring length
- G = gauging points
- ↔ = 0 ... ML
- A = cable

LHI12 = male connector

⊙ = required mating dimensions

OPTIONAL:

- S1, S2 = switch signals
- RI = selectable reference mark

- * = actuator magnet
- ** = sensor position