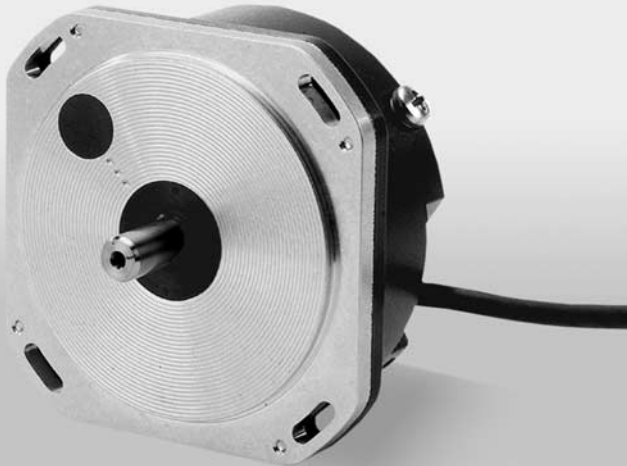


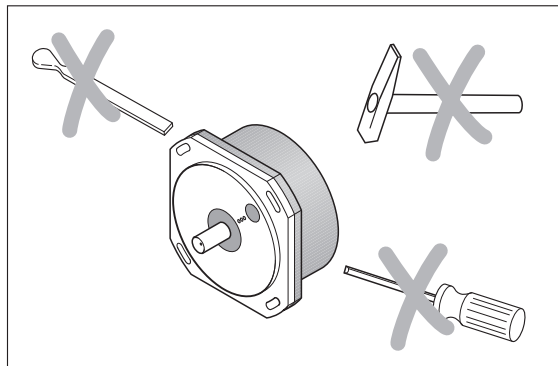
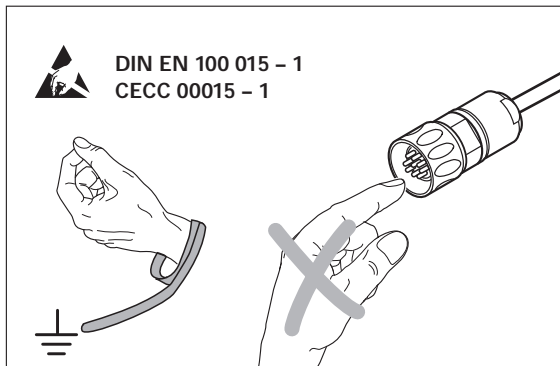
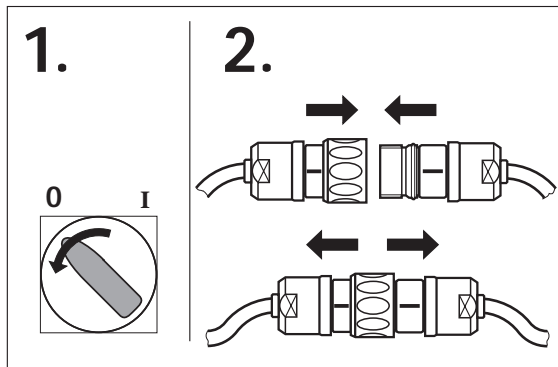


HEIDENHAIN



Montageanleitung
Mounting Instructions
Instructions de montage
Istruzioni di montaggio
Instrucciones de montaje

ROD 260

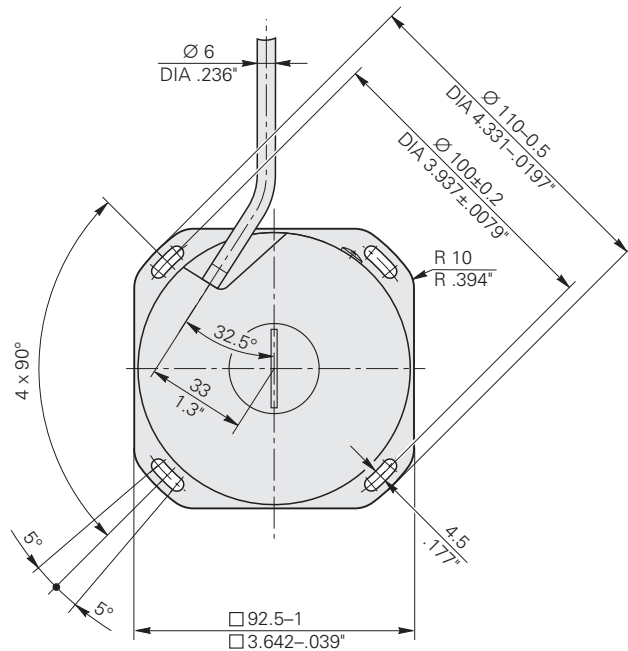


mm/inches

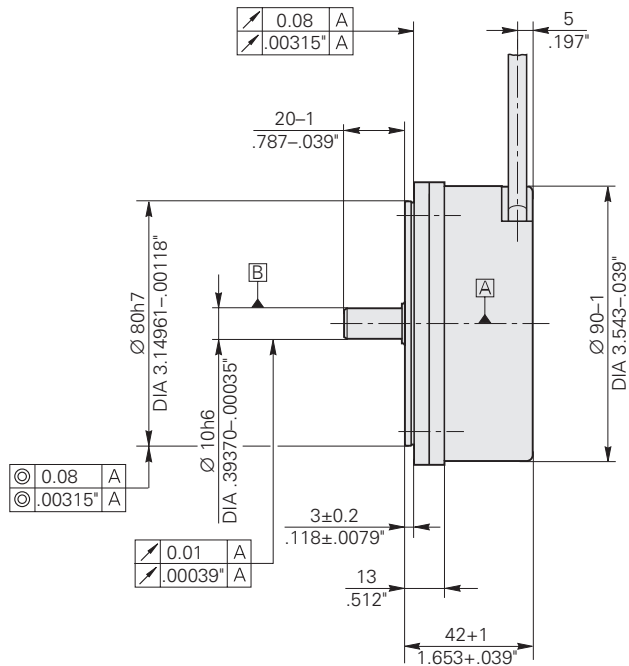


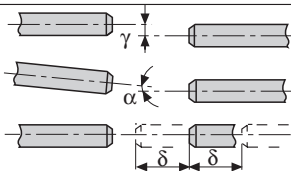
DIN ISO 8015

ISO 2768 - m H



A = Lagerung
 Bearing
 roulement
 cuscinetto
 rodamiento





K 03: $\gamma \leq 0.3 \text{ mm.}$
 $\gamma \leq .012 \text{ in.}$

K 03: $\alpha \leq 0.5^\circ$

K 03: $\delta \leq 0.2 \text{ mm}$
 $\delta \leq .008 \text{ in.}$

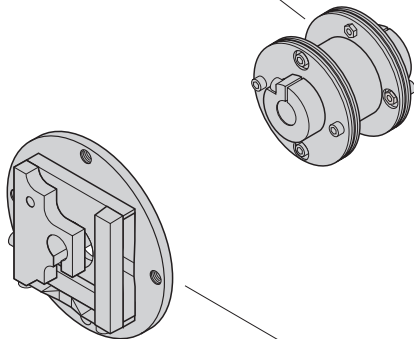
K 18: $\gamma \leq 0.3 \text{ mm.}$
 $\gamma \leq .012 \text{ in.}$

K 18: $\alpha \leq 0.5^\circ$

K 18: $\delta \leq 0.2 \text{ mm}$
 $\delta \leq .008 \text{ in.}$

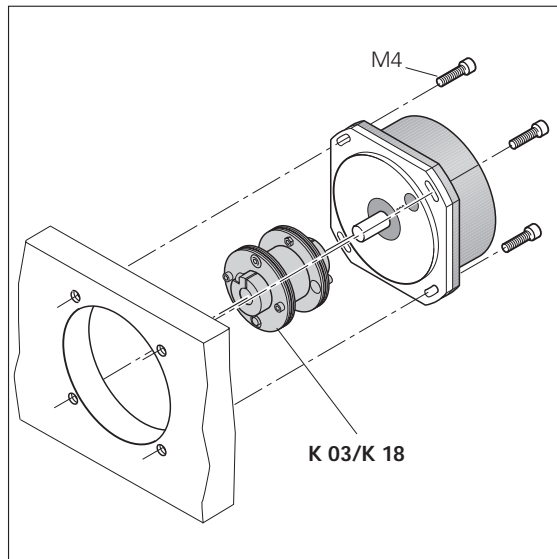
K 03

Id.-Nr. 200 313-04



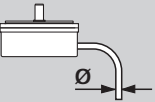
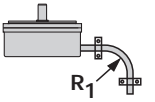
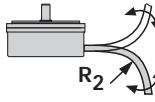
K 18

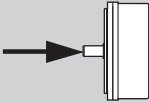

Id.-Nr. 202 227-01

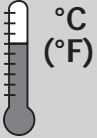
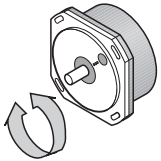
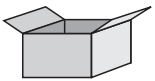


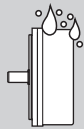
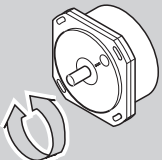
M4

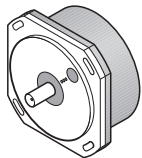
K 03/K 18

		 $T \geq -10\text{ °C}$ (14 °F)
Ø 6 mm DIA .236 in.	$R_1 \geq 20\text{ mm}$ $R_1 \geq .8\text{ in.}$	$R_2 \geq 75\text{ mm}$ $R_2 \geq 3\text{ in.}$
Ø 8 mm DIA .315 in.	$R_1 \geq 40\text{ mm}$ $R_1 \geq 1.6\text{ in.}$	$R_2 \geq 100\text{ mm}$ $R_2 \geq 4\text{ in.}$

	max. 10 N
	max. 10 N

	 $-20 \dots 70\text{ °C}$ $(-4 \dots 158\text{ °F})$
	 $-30 \dots 80\text{ °C}$ $(-22 \dots 176\text{ °F})$

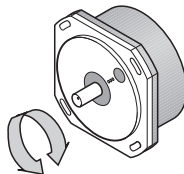
	IP 64 IEC 529 EN 60 529
	$M_d \leq 0.01\text{ Nm}$ (20 °C) $I = 20 \cdot 10^{-6}\text{ kgm}^2$



$$U_P = 5V \pm 10\% \text{ (max. 220 mA)}$$

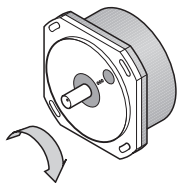


IEC 742
EN 50 178

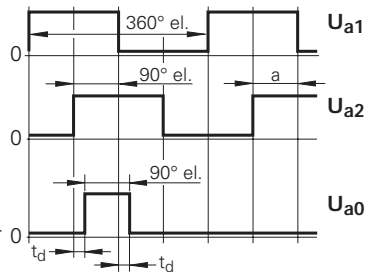
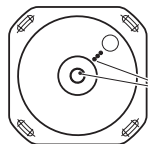


Z = Strichzahl
Line count
nombre de traits
numero di impulsi
número de impulsos

$$n \leq \begin{cases} \frac{1\,000}{Z} \cdot 10^3 \cdot 60 \text{ min}^{-1} \\ 10\,000 \text{ min}^{-1} \end{cases}$$



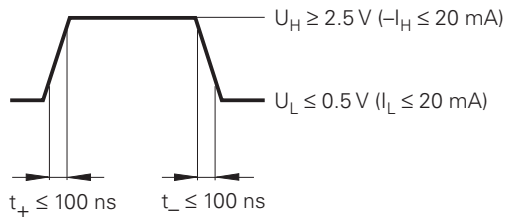
$$\begin{matrix} U_{a1}, U_{a2}, U_{a0} \\ \overline{U_{a1}}, \overline{U_{a2}}, \overline{U_{a0}}, \overline{U_{aS}} \end{matrix}$$



$$a \geq 125 \text{ ns}$$

$$|t_d| \leq 50 \text{ ns}$$

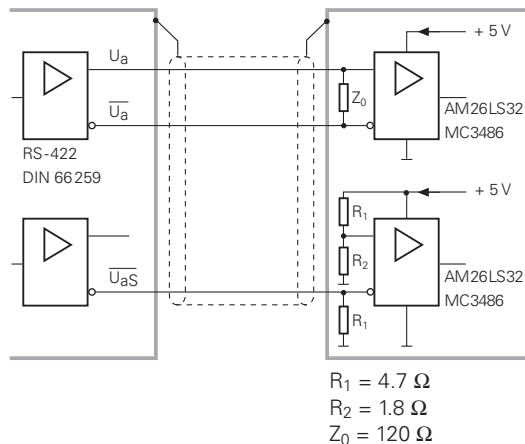
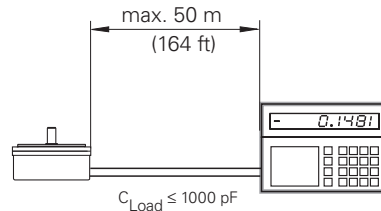
TTL



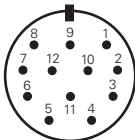
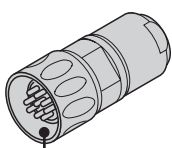
$\overline{U_{aS}}$: Störungssignal
Fault detection signal
signal de perturbation
segnale di malfunzionamento
señal de avería

$\overline{U_{aS}}$ = High: ✓

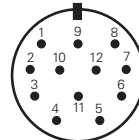
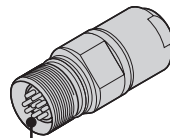
$\overline{U_{aS}}$ = Low: ⚠



Id.-Nr. 291 697-07

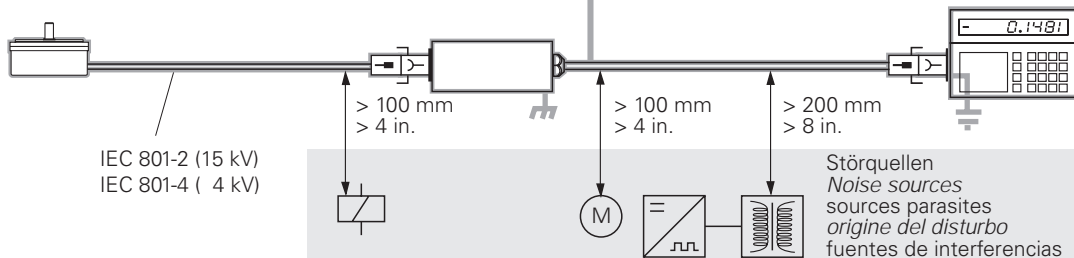


Id.-Nr. 291 698-03



5	6	8	1	3	4	7		12	10	2	11
U_{a1}	\overline{U}_{a1}	U_{a2}	\overline{U}_{a2}	U_{a0}	\overline{U}_{a0}	\overline{U}_{aS}	Schirm Shield blindage schermo blindaje	5V U_P	0V U_N	5V sensor	0V sensor
braun <i>brown</i> brun <i>marrone</i> marrón	grün <i>green</i> vert <i>verde</i>	grau <i>gray</i> gris <i>grigio</i> gris	rosa <i>pink</i> rose <i>rosa</i> rosa	rot <i>red</i> rouge <i>rosso</i> rojo	schwarz <i>black</i> noir <i>nero</i> negro	violett <i>violet</i> violet <i>viola</i> violeta		braun/grün <i>brown/green</i> brun/vert <i>marrone/verde</i> marrón/verde	weiß/grün <i>white/green</i> blanc/vert <i>bianco/verde</i> blanco/verde	blau <i>blue</i> bleu <i>azzurro</i> azul	weiß <i>white</i> blanc <i>bianco</i> blanco

IEC 742 EN 50 178



HEIDENHAIN

DR. JOHANNES HEIDENHAIN GmbH

Dr.-Johannes-Heidenhain-Straße 5

83301 Traunreut, Germany

☎ +49/8669/31-0

FAX +49/8669/5061

e-mail: info@heidenhain.de

Technical support FAX +49/8669/31-1000

Measuring systems ☎ +49/8669/31-3104

e-mail: service.ms-support@heidenhain.de

TNC support ☎ +49/8669/31-3101

e-mail: service.nc-support@heidenhain.de

NC programming ☎ +49/8669/31-3103

e-mail: service.nc-pgm@heidenhain.de

PLC programming ☎ +49/8669/31-3102

e-mail: service.plc@heidenhain.de

Lathe controls ☎ +49/711952803-0

e-mail: service.hsf@heidenhain.de

www.heidenhain.de

Ve 00

225 112-95 · 5 · 10/99 · F&W · Printed in Germany

Änderungen vorbehalten · *Subject to change without notice* · Sous réserve de modifications · *Con riserva di modifiche* · Sujeto a modificaciones

